

E60 Useries

110mm~430mm

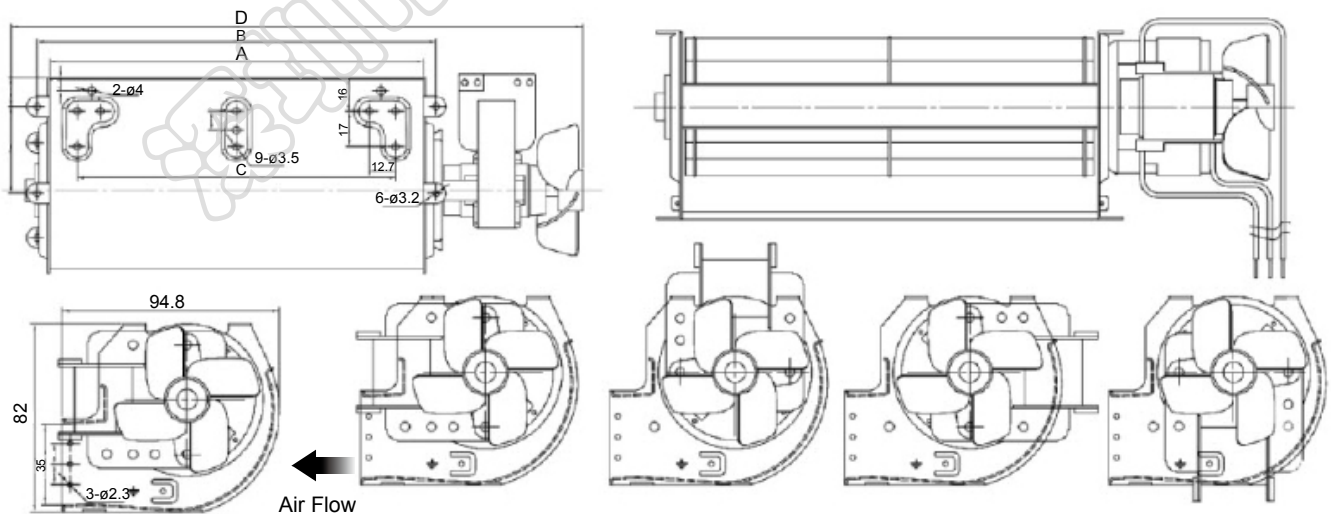
General Specifications

- Motor : Shaded pole AC motor
- Frame & Impeller : Metal
- Storage temperature : -40° to +75°
- Operating temperature : -10° to +65°



Major Characteristic Parameters

Model	Size(mm)			Rated Voltage	Rated Frequency	Rated Current	Input Power	Rated Speed	Maximum Air Flow		Maximum Static Pressure		Sound Level	Weight
Part NO.	A	B	C	V	Hz	A	W	RPM	m ³ /min	CFM	mm-Aq	In-H ₂ O	dBA	g
CE60090A11	98	110	68	110	60	0.31	23	2550	1.9	67.13	6.2	0.244	43	1200
CE60120A22	98	110	68	220	50	0.15	25	2350	1.9	67.13	6.0	0.236	43	1200
CE60180A11	181	193	154	110	60	0.49	41	2300	3.0	106.0	6.0	0.236	48	1350
CE60180A22	181	193	154	220	50	0.26	30	2300	3.0	106.0	6.0	0.236	48	1350
CE60240A11	242	254	212	110	60	0.60	30	1900	3.3	116.60	5.2	0.204	47	1400
CE60240A22	242	254	212	110	50	0.27	32	1900	3.3	116.60	5.2	0.204	47	1400
CE60300A11	303	315	273	110	60	0.63	31	2000	4.7	166.07	5.4	0.212	46	1500
CE60300A22	303	315	273	220	50	0.32	32	2000	4.7	166.07	5.4	0.212	46	1500
CE60350A11	353	365	323	110	60	0.63	37	2000	4.8	169.61	5.0	0.196	46	1600
CE60350A22	353	365	323	220	50	0.32	39	2000	4.8	169.61	5.0	0.196	46	1600
CE60420A11	418	430	388	110	60	0.68	43	1600	5.2	183.74	4.6	0.181	45	1650
CE60420A22	418	430	388	220	50	0.35	42	1800	5.2	183.74	4.8	0.188	45	1650



unit:mm